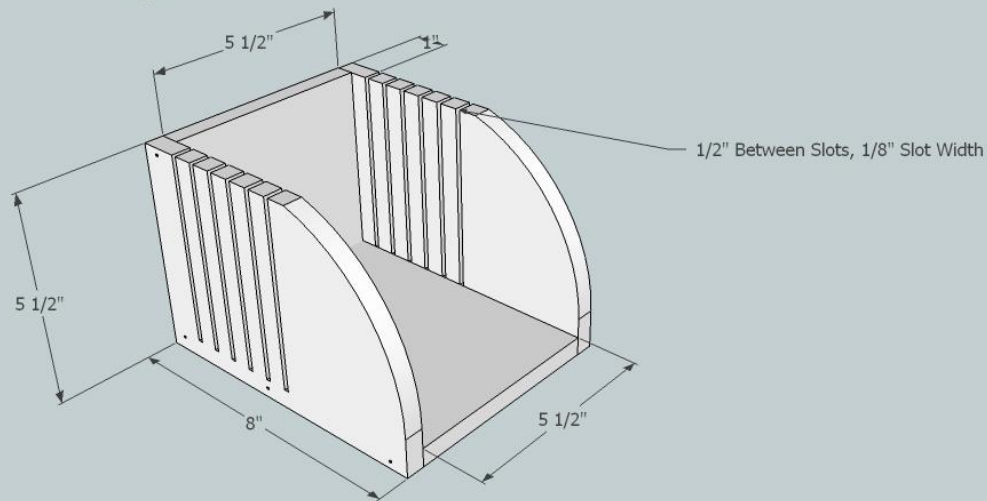


Bagel/Bread Slicer



(C) WoodLogger.com

Materials

(1) - 1/2" x 6" x 4' (I used Oak)

Cut List

- (1) - 1/2" x 8" x 5-1/2" (Bottom)
- (2) - 1/2" x 8" x 5-1/2" (Cut Sides)
- (1) - 1/2" x 5" x 5-1/2" (Back Side)